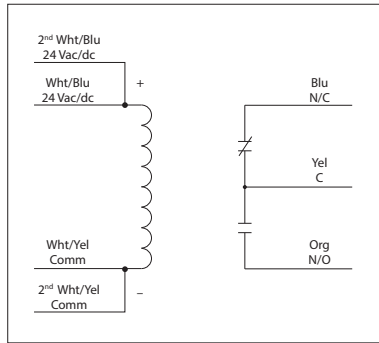


FIRE ALARM RELAYS

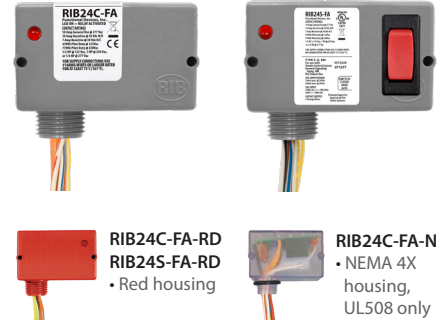
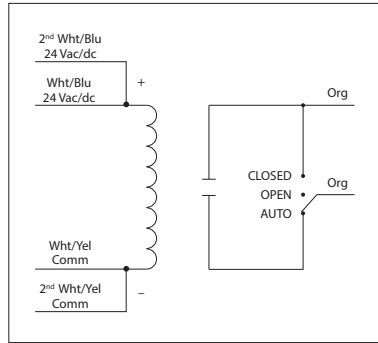
RIB24C-FA

Polarized Relay, 10 Amp SPDT, 24 Vac/dc Coil, NEMA 1 Housing



RIB24S-FA

Polarized Relay 10 Amp SPST-N/O + Override, 24 Vac/dc Coil, NEMA 1 Housing



SPECIFICATIONS

- # Relays & Contact Type:** One (1) SPDT Continuous Duty Coil (RIB24C-FA)
One (1) SPST Continuous Duty Coil (RIB24S-FA)
- Expected Relay Life:** 10 million cycles minimum mechanical
- Operating Temperature:** -30 to 140° F
- Humidity Range:** 5 to 95% (noncondensing)
- Operate Time:** 6ms
- Relay Status:** LED On = Activated
- Dimensions:** 1.70"H x 2.80"W x 1.50"D with 0.50" NPT nipple
- Housing Detail:** See **Housing A** in housing guide for dimensions
- Origin:** Made of US and non-US parts
- Wires:** 16", 600V Rated
- Approvals:** UL Listed, UL916, UL864, C-UL
California State Fire Marshal, CE, RoHS
- Housing Rating:** UL Accepted for Use in Plenum, NEMA 1
- Gold Flash:** No
- Override Switch:** No (RIB24C-FA)
Yes (RIB24S-FA)

- Contact Ratings:**
10 Amp General Use @ 277 Vac
10 Amp Resistive @ 30 Vdc (N/O)
7 Amp Resistive @ 30 Vdc (N/C)
1/2 HP @ 125 Vac
1 HP @ 250 Vac
1/4 HP @ 277 Vac
470 VA Pilot Duty @ 125 Vac
770 VA Pilot Duty @ 250 Vac

- Coil Current:**
26 mA @ 20 Vac
31 mA @ 24 Vac
48 mA @ 35 Vac
14 mA @ 20 Vdc
18 mA @ 24 Vdc
28 mA @ 35 Vdc

- Coil Voltage Input:**
24 Vac/dc; 50-60 Hz
Drop Out = 3 Vac / 3.8 Vdc
Pull In = 20 Vac / 20 Vdc

- Notes:**
• Order Normally Closed by adding "NC" to end of model number (RIB24S-FA)